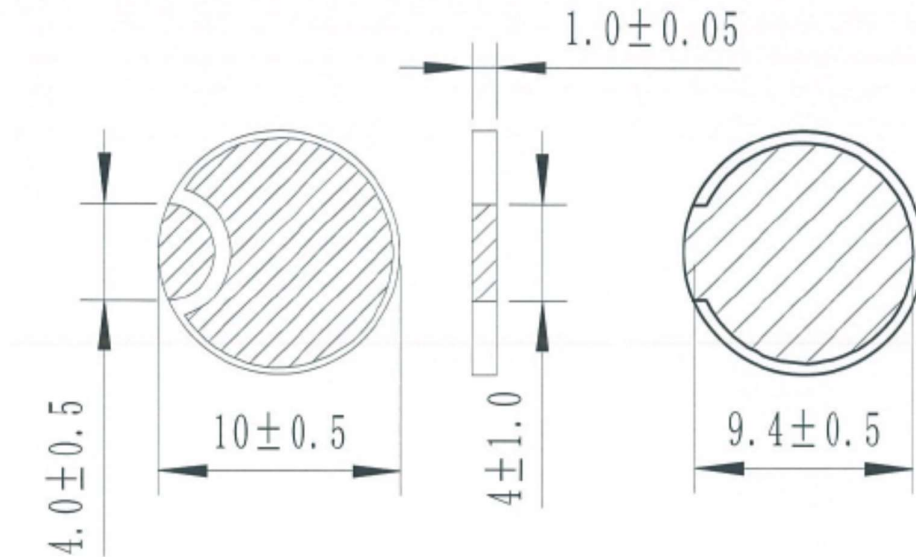


HN0065-000 Ultrasonic Piezo Transducer

Part Number: HN0065-000

Model Number: AW5Y10100A

Appearance and Dimensions, Unit: mm



Electrical Specifications:

No.	Item	Unit	Standard	Test Condition
1	Thick Resonant Frequency	MHz	2 ± 0.05	Agilent 4294A
2	Resonant Impedance	Ω	≤ 50	Agilent 4294A
3	Static Capacitance	pF	$1200 \pm 20\%$	Digital Electric Bridge At 1000Hz/1V
4	Electrical-Mechanical Coupling Coefficient		≥ 0.42	
5	Piezoelectric Coefficient	X10 ⁻¹² C/N	≥ 0.440	

TENTATIVE RELEASE:

This specification is based on design objectives and is strictly Preliminary and subject to change. Test data may exist, but this specification is subject to change based on the results of additional testing and evaluation. Application specific specifications will be produced for approval prior to production product being released.

<u>Part No.</u>	<u>Rev</u>	<u>Title</u>	<u>Sheet No.</u>
HN0065-000	A1	Ultrasonic Piezo Transducer	1 of 1