

HN0675-003 Ultrasonic Piezoelectric Transducer

Ordering Information

Part Number: HN0675-003

Model Number: AW5Y12200M



Part Numbering Scheme:

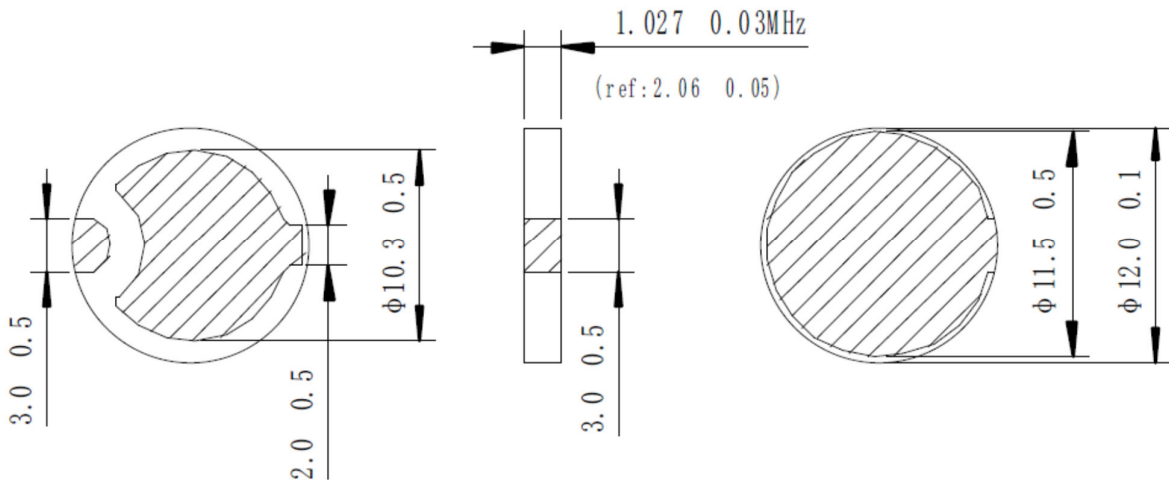
EX: AW 5 Y 12 200 M
 ① ② ③ ④ ⑤ ⑥

- ① Audiowell
- ② Ceramic Material Code
- ③ Electronic Material Code: Y, N, J
- ④ Diameter of Element
- ⑤ Thickness of Element
- ⑥ Electrode Shape: A, B, C, D, M

Electrical Specifications

NO.	Item	Specification	Unit	Test Condition: T=25°C
1	Thick Resonant Frequency	1.027 ± 0.03	MHz	Agilent 4924A
2	Resonant Impedance	≤ 100	Ω	Agilent 4924A
3	Static Capacitance	900 ± 20%	pF	Digital electric bridge At 1000Hz/1V

Appearance and Dimensions (Units = mm)



Shipping Package

PCS/CTN	Tray000 (cm)	Carton 010 (Outside Size) (cm)	Gross Weight (Kg)	Net Weight (Kg)
2500	34.3 x 27 x 3.0	36.0 x 27.5 x 12.5Y	5.0	4.0

Revision History

Revision Number	Revision Date	Description	Pages Changed
A4	4-16-2019	Approved Version	

Contacts

For pricing, delivery, and detailed ordering information please contact:

Audiowell International
12060 County Line Rd.
Suite J 265
Madison, AL 35756
Phone: 256.929.3734

Email: sales@audiowell-international.com

Tentative Release

This specification is based on design objectives and is strictly Preliminary and subject to change. Test data may exist, but this specification is subject to change based on the results of additional testing and evaluation. Application specific specifications will be produced for approval prior to production product being released.

 **WARNING**

This product can expose you to chemicals including Lead, Chromium (hexavalent compounds) and Phthalates (DEHP) which are known to the State of California to cause cancer and birth defects or other reproductive harm. For more information, go to www.P65Warnings.ca.gov