

## 300KHz High Frequency High Accuracy Ultrasonic Transducer



Part Number: HT0011-000

Model Number: AW24Y0300K01-01

### Overview

The 300KHz high frequency high accuracy ultrasonic transducer generates 300KHz high-frequency ultrasound, and transmits it to the air through special coupling material, which is very useful in short-range precision detection.

### Features

- High precision measurement
- Good sense of pointing
- Good consistency

### Applications

- Double-sheet detection for scanners, printers, ATM etc.

### Dimensions

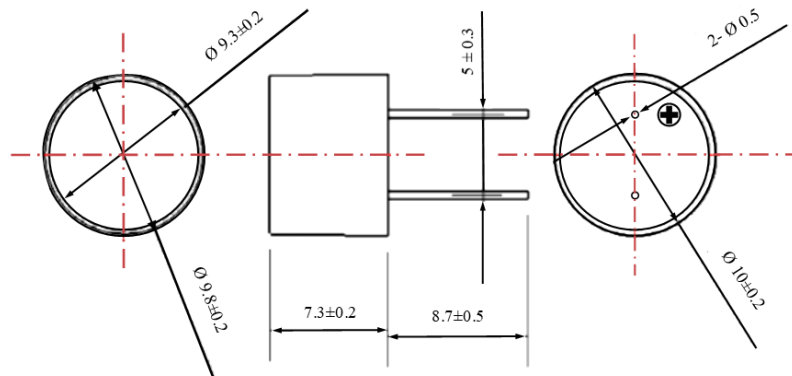


Fig.1

### Directivity Test

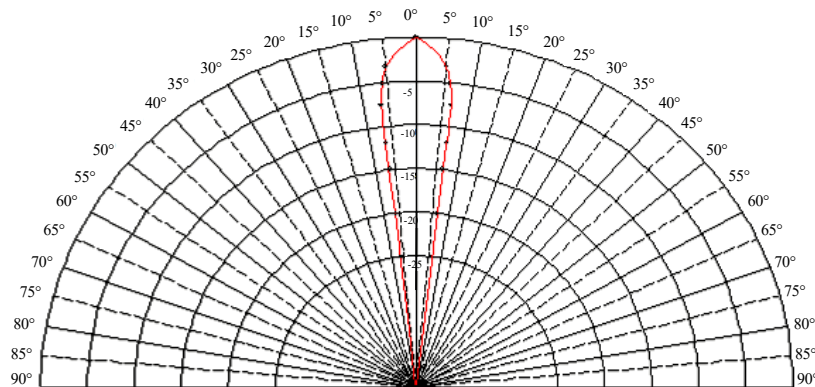


Fig.2

#### TENTATIVE RELEASE:

This specification is based on design objectives and is strictly Preliminary and subject to change. Test data may exist, but this specification is subject to change based on the results of additional testing and evaluation. Application specific specifications will be produced for approval prior to production product being released.

<u>Part No.</u>	<u>Rev</u>	<u>Title</u>	<u>Sheet No.</u>
HT0011-000	Prelim	300KHz High Frequency High Accuracy Ultrasonic Transducer	1 of 2

## Electrical Specifications

No.	Items	Specification	Note
1	Nominal Drive Frequency	300kHz	
2	Overall Sensitivity	≥4Vp-p	With AW tester
			Drive signal: Burst with 10Vp-p
			Drive frequency: 300kHz
			Drive wave number: 5 cycles
			Amplification rate 1000 times
			Distance between the sensor and Aluminum reflection plate target: 200mm
3	Directivity	12" (typical)	With AW tester (per Fig. 2)
4	Capacitance	800 PF ± 20%	At 1kHz, 25 ± 3°C
5	Insulation Resistance	100Mohm Min.	At 100V DC
6	MAX Input Voltage	50Vp-p	The rectangle wave drive number: 5 cycles Drive frequency: 300kHz
	Allowable Driving Voltage Continuous Wave	12Vp-p	The Rectangle wave Drive frequency: 300kHz
7	Operating Temperature Range	-20°C ~ +70°C	
8	Storage Temperature Range	-30°C ~ +80°C	
9	Operating Humidity Range	15 ~ 90% RH	Use without condensation
10	Storage Humidity Range	10 ~ 90% RH	Use without condensation

Standard Test Condition: 25±3 °C, 40 ~ 65% RH

## Revision History:

Version	Date (MM/DD/YY)	DWN	Statement
	11/17/2017		Preliminary Specifications Only Released for customer review

### TENTATIVE RELEASE:

This specification is based on design objectives and is strictly Preliminary and subject to change. Test data may exist, but this specification is subject to change based on the results of additional testing and evaluation. Application specific specifications will be produced for approval prior to production product being released.

<u>Part No.</u>	<u>Rev</u>	<u>Title</u>	<u>Sheet No.</u>
HS0011-000	Prelim	300KHz High Frequency High Accuracy Ultrasonic Transducer	2 of 2