

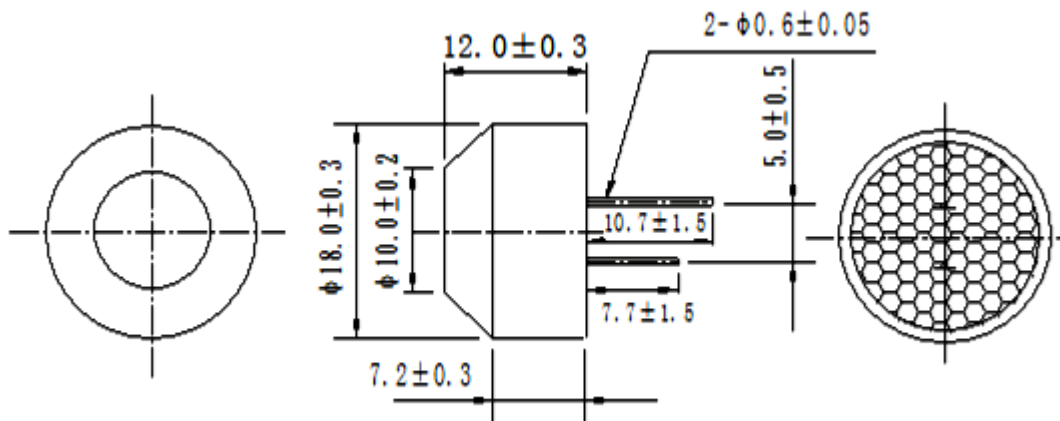
Part Number: TC0039-001

Model Number: T/R40-18D0Z-01

### Overview

Water proof type ultrasonic sensors were widely used for parking sensors, proximity sensors and level sensors, etc. With the perfect seal these sensors can be used in a relatively poor environment such as dust and humidity.

### Appearance and Dimensions, Unit: mm



### Electrical Specifications

1	Center frequency (KHz)	40 ± 1.0
2	Echo Sensitivity (mV)	≥160 (Fig 1 simulation test circuit)
3	Decay Time (ms)	≤1.3ms (Fig 1 simulation test circuit)
4	Directivity (deg)	80 ± 15
5	Capacitance (pF)	1800 ± 15%
6	Allowable Maximum Input Voltage (Vp-p)	140 (40KHz) Pulse width 0.5ms, interval 20ms
7	Mean Time to Failure (h)	50000
8	Operating Temperature (°C)	-40 ~ +80
9	Storage Temperature (°C)	-40 ~ +85

#### TENTATIVE RELEASE:

This specification is based on design objectives and is strictly Preliminary and subject to change. Test data may exist, but this specification is subject to change based on the results of additional testing and evaluation. Application specific specifications will be produced for approval prior to production product being released.

<u>Part No.</u>	<u>Rev</u>	<u>Title</u>	<u>Sheet No.</u>
TC0039-001	A1	Waterproof Piezo Ultrasonic Sensor	1 of 5

## Simulation Test Circuit

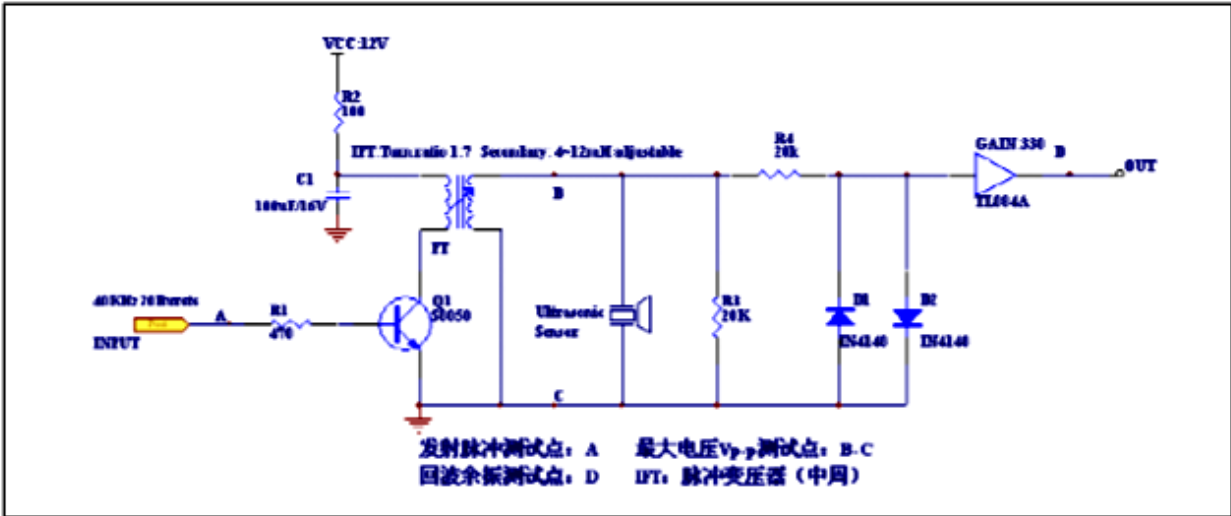


FIG. 1

## Directivity Test

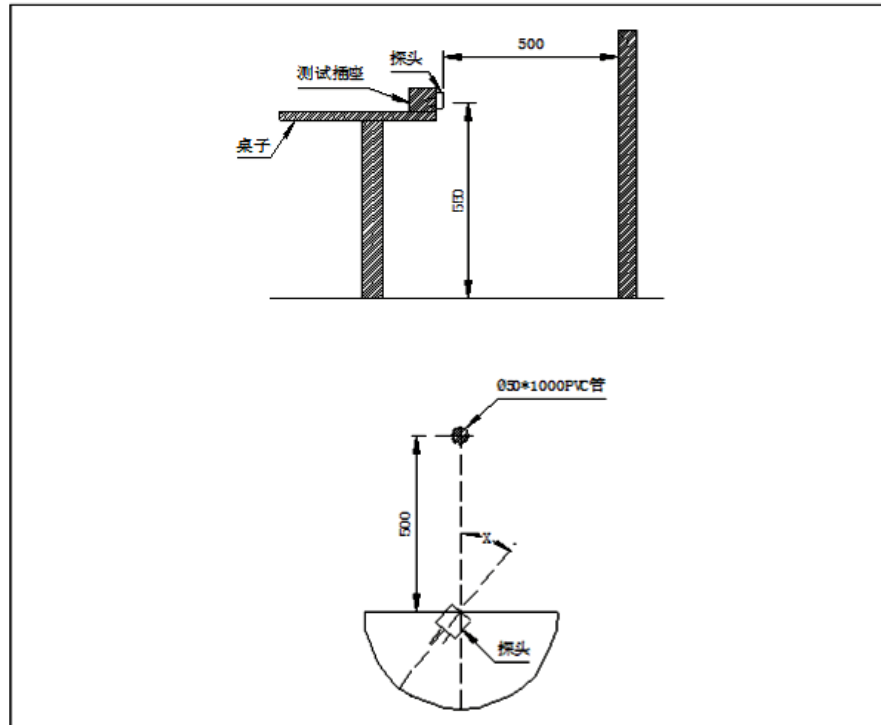


FIG. 2

### TENTATIVE RELEASE:

This specification is based on design objectives and is strictly Preliminary and subject to change. Test data may exist, but this specification is subject to change based on the results of additional testing and evaluation. Application specific specifications will be produced for approval prior to production product being released.

Part No.	Rev	Title	Sheet No.
TC0039-001	A1	Waterproof Piezo Ultrasonic Sensor	2 of 5

## Environmental Characteristics

Testing Items	Testing Equipment/Methods/Conditions	Criteria
Shock Test	Acceleration: 980m/s <sup>2</sup> (100G); Direction: 3 directions; Shock time: 3 times/directions	The variation of the echo sensitivity at 40kHz within 30% compared with initial figures at 25°C
Drop Test	Height: 1 meter onto concrete floor; Times: 10 times	
Vibration Test	Vibration frequency: 10Hz to 55Hz; Amplitude 1.5mm; Sweep Period: 1 minute; Direction: 3 directions; Time: 3 hours/direction	
High-temp. storage	Temperature: +85 ± 3°C; Time: 96h followed by normalized period at 25°C for 24h	
Low-temp. storage	Temperature: -40 ± 3°C; Time: 96h followed by normalized period at 25°C for 24h	
Humidity Resistance	Temperature: +85 ± 3°C; Humidity: 85% Time: 96h followed by normalized period at 25°C for 24h	
Temp. shock	Temperature: -40°C ± 3°C for 0.5h, within 5 min up to +85°C ± 3 for 0.5h, cycles: 200 cycles & followed by normalization period at 25°C for 24h	
NOTES: Standard test condition: T=25±3°C, H = 45~65% R.H. And every test must be more than 5 pcs for test.		

**TENTATIVE RELEASE:**

This specification is based on design objectives and is strictly Preliminary and subject to change. Test data may exist, but this specification is subject to change based on the results of additional testing and evaluation. Application specific specifications will be produced for approval prior to production product being released.

<u>Part No.</u>	<u>Rev</u>	<u>Title</u>	<u>Sheet No.</u>
TC0039-001	A1	Waterproof Piezo Ultrasonic Sensor	3 of 5

## Testing Instrument and Condition List

No.	Testing Items	Testing Equipment/Methods	Testing Conditions
1	Resonant Frequency	Piezoelectric Transducer Resistance Testing System II	Testing temperature: 25±2°C
2	Echo Sensitivity	According to Fig. 1 Test Circuit	Distance to obstacle: 1 meter, Obstacle: organic glass board with 20cm*20cm*1.0cm. 1. The inductance: 8mH, Qm Value: 60-80, Pulse: 20 2. The minimum detect distance ≥35cm 3. The acoustic system without coupling
3	Ring Time	According to Fig. 1 Test Circuit	The sensor surface is covered by 100mm thickness of sponge 1. The inductance: 8mH, Qm Value: 60-80, Pulse: 20 2. The minimum detect distance ≥35cm 3. The acoustic system without coupling
4	Directivity	According to Fig. 1 & Fig. 2 Test Circuit	In normal room temperature, the distance to the ground: 55cm the distance to the obstacle: 50cm the obstacle: diameter of 50mm PVC pipe, the obstacle height: 1 meter NOTE: there is no other obstacle in the circumference of 1 meter
5	Capacitance	Digital LC ZL5	Testing temperature: 25±2°C
6	Maximum Input Voltage (Vp-p)	According to Fig. 1 Test Circuit Oscilloscope: Tektronix TDS1002	Pulse width: 0.5mS, Interval: 20mS
7	Mean Time to Failure	Aging Equipment AWHY001	Testing temperature: 25±2°C
8	Operating Temperature (°C)	High-Low alternating temperature cabinet	
9	Storage Temperature (°C)	High-Low alternating temperature cabinet	

**TENTATIVE RELEASE:**

This specification is based on design objectives and is strictly Preliminary and subject to change. Test data may exist, but this specification is subject to change based on the results of additional testing and evaluation. Application specific specifications will be produced for approval prior to production product being released.

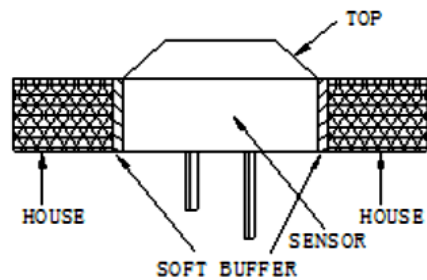
<u>Part No.</u>	<u>Rev</u>	<u>Title</u>	<u>Sheet No.</u>
TC0039-001	A1	Waterproof Piezo Ultrasonic Sensor	4 of 5

**Notes:**

1. All materials are RoHS, But Piezo is released

**2. Design Restriction/Precautions**

- This sensor is designed for use in air environments. Do not use it in liquid.
- In the case where secondary accidents due to operation failure or malfunctions can be anticipated, add a fail safe function to the design.
- In the case where this sensor is to be held in housing, use soft buffer between sensor and housing. The front convex part of this sensor vibrates in large extension. If this part is held, its characteristics will vary. The top must be free to vibrate.



**3. Usage Restriction/precautions**

- To prevent sensor malfunctions, operational failure or any deterioration of its characteristics, do not use this sensor in the following, or similar conditions:
  - A) In strong shock or vibration
  - B) In high temperature and humidity for a long time.
  - C) In corrosive gases or sea breeze.
  - D) In an atmosphere of organic solvents.
  - E) In dirty and dusty environments that may contaminate the sensor front.
  - F) Over specified allowable input voltage ( $V_{p-p}$ )
- Do not solder adding stress on outer lead, also do not apply stress like spin or pressure just after soldering.
- If you form the leads, support the root firmly.

**Revision History:**

Version	Date (MM/DD/YY)	DWN	Statement
A1	09/17/2015		Released

TENTATIVE RELEASE:

This specification is based on design objectives and is strictly Preliminary and subject to change. Test data may exist, but this specification is subject to change based on the results of additional testing and evaluation. Application specific specifications will be produced for approval prior to production product being released.

<b>Part No.</b> TC0039-001	<b>Rev</b> A1	<b>Title</b> Waterproof Piezo Ultrasonic Sensor	<b>Sheet No.</b> 5 of 5
-------------------------------	------------------	--	----------------------------